

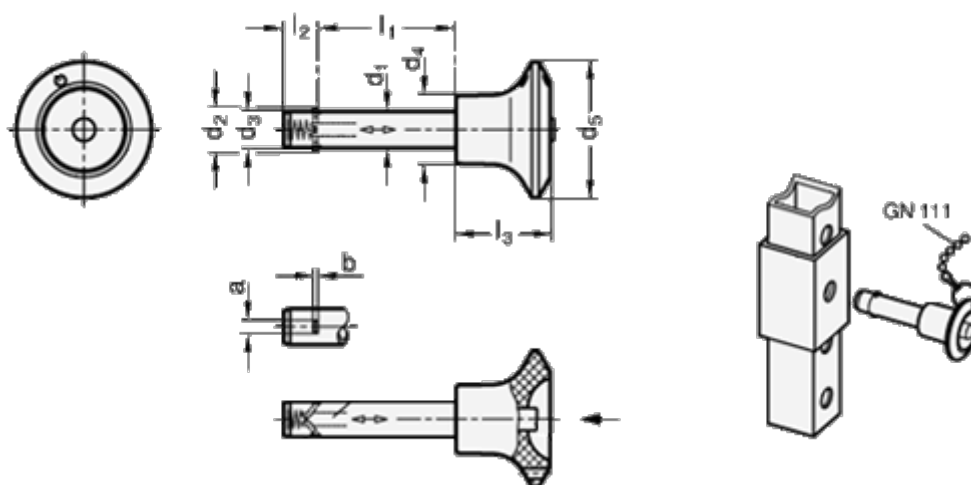
Data Sheet



Article number: 2011462030

Description: E+G Stainless steel lock pin
GN 114.6-20-30

Measures



a = 187.0

d1 = 20

d2 = 23.9

d3 = 19.8

d4 = 25.0

d5 = 40

l1 = 30

l2 = 14.8

l3 = 33

Resilience (N) = 5